

**OMNICOMM**

# **DT14V Omnicomm**

## Temperature Sensor

Datasheet  
Version 1.19

# TABLE OF CONTENTS

<b>1 GENERAL INFORMATION .....</b>	<b>3</b>
<b>2 TECHNICAL SPECIFICATIONS.....</b>	<b>3</b>
<b>3 DIAGRAM CONNECTING TEMPERATURE SENSOR TO OMNICO MM TERMINAL..</b>	<b>3</b>
<b>4 INSTALLATION INSTRUCTIONS.....</b>	<b>4</b>
<b>5 TRANSPORTATION AND STORAGE .....</b>	<b>4</b>
<b>6 MANUFACTURER'S WARRANTY .....</b>	<b>4</b>
<b>7 RECLAMATION NOTES.....</b>	<b>4</b>

## 1 GENERAL INFORMATION

The DT14V temperature sensor is intended for measuring the temperature of the vehicle's surface, blocks, and units.

## 2 TECHNICAL SPECIFICATION

	Parameter	Value
1	Power supply, V	16–32
2	Temperature measurement range, °C	From -40 to +130
3	Absolute measurement error, °C	± 2
4	Protection degree of the product's case	IP42
5	Range of operating temperatures, °C	From -20 to +80
6	Output – unified voltage signal, V	From 0.8 to 14.4
7	Average service lifetime, years	8

Table 1. Main parameters

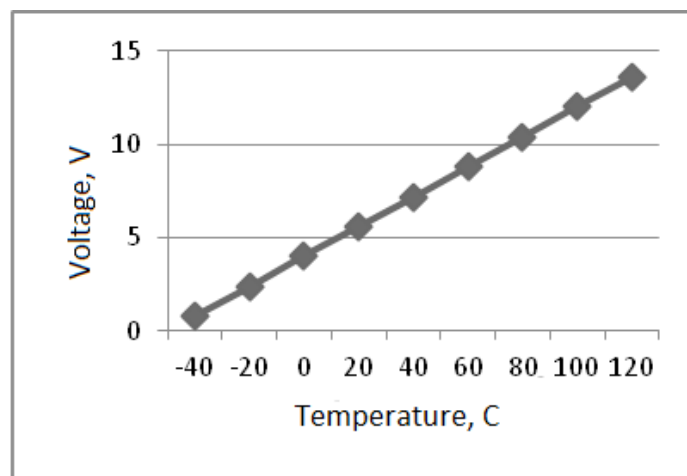


Figure 1. Relation between output voltage and temperature

## 3 DIAGRAM FOR CONNECTING TEMPERATURE SENSOR TO OMNICOMM TERMINAL

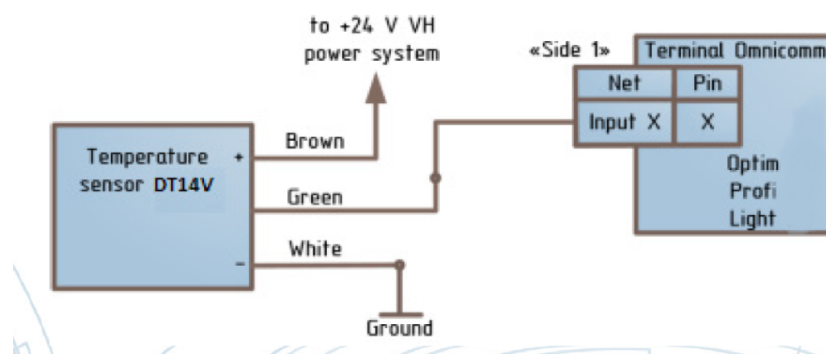


Figure 2. Connection diagram

Please refer to User Manuals for Omnicomm fleet management terminals for the correct pin distribution.

Minimum value of the measured parameter	-40 (°C)
Voltage corresponding to the minimum parameter	0.8 (V)
Maximum value of the measured parameter	125 (°C)
Voltage corresponding to the maximum parameter	14.0 (V)

Table 2. Configurations required for installing in Omnicomm configurator

## 4 INSTALLATION INSTRUCTIONS

Fasten the sensing element to a surface through the hole in the sensor's clamp. It is acceptable to ream the hole to a size of no more than 11 mm in diameter.

Lay the cable to the Omnicomm terminal and make the connection.

Attention! To prevent damage to the sensor's board situated in the corrugated cable, DO NOT bend the cable section marked with yellow rings.

## 5 TRANSPORTATION AND STORAGE

The products are allowed to be transported in enclosed transport of all types and over all distances.

Transport packaging is recommended for transportation of the products. The products can be transported at temperatures ranging from -60 to +85 °C with the implementation of protective measures against shock and vibration. The room air must not contain aggressive vapours or gases.

## 6 MANUFACTURER'S WARRANTY

The warranty period is three years from the date of purchase provided the consumer observes the terms and conditions of transportation, storage, installation, and usage of the products that are set forth in the operating instructions.

## 7 COMPLAINTS

If the DT14V temperature sensor breaks down within the warranty period, a warranty claim form must be submitted to Omnicomm. This claim form should be sent to:

[support@omnicomm-world.com](mailto:support@omnicomm-world.com)

**OMNICOMM**

[info@omnicomm-world.com](mailto:info@omnicomm-world.com)

[www.omnicomm-world.com](http://www.omnicomm-world.com)